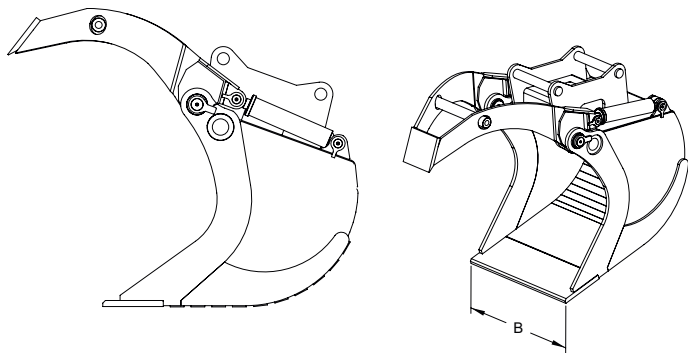


COMBI GRIP BUCKETS

350-1000 litres/SAE

Combi Grip Buckets are a combination of grading and grip buckets. A robust construction ensures a long service life and the ability to withstand tough work and conditions. They are perfect for moving larger objects that normally wouldn't fit into a bucket. Combi Grip Buckets can be used with the SMP Tiltrotator for precision work such as building walls with natural stone. Thanks to its clever design the grip arm never comes into contact with the excavator arm, when the bucket is fully tilted, in transport position.



TECHNICAL SPECIFICATIONS COMBI GRIP BUCKETS

Model	Volume (l)	Width (mm)	Approx weight (Kg)
CG 200	200	600	250
CG 350	350	800	420
CG 500	500	860	650
CG 650	650	1000	1000
CG 1000	1000	1100	1400

Weights can vary depending on design of product