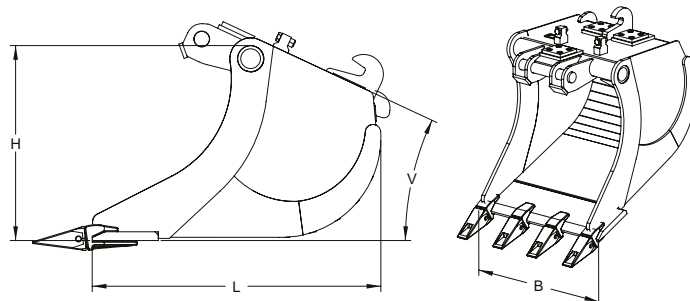


DEEP BUCKETS

1050-2500 liter/SAE

Durable deep buckets specifically designed for digging in all types of material, regardless of temperature or weather conditions. Deep buckets are available with or without bucket teeth and with optional tooth systems, which are type CAT or KVERNEX as standard. Buckets larger than 2700 L are made to order.

- Tooth system T10 is a CAT-type and is suitable for CAT 235/J460.



TECHNICAL SPECIFICATIONS DEEP BUCKETS

Model	Volume (l)	Width (mm)	Length (mm)	Height (mm)	Angle	Approx weight (Kg)
1050HDR	1050	1170	1430	1010	25	1060
1150HDR	1150	1190	1450	1120	25	1200
1250HDR	1250	1260	1450	1120	25	1300
1350HDR	1350	1260	1560	1100	25	1380
1450HDR	1450	1350	1560	1100	25	1450
1550HDR	1550	1440	1560	1100	25	1550
1650HDR	1650	1460	1560	1190	25	1640
1800HDR	1800	1460	1700	1190	25	1990
2000HDR	2000	1600	1700	1310	25	2200
2200HDR	2200	1700	1620	1290	25	2500
2500HDR	2500	1800	1700	1400	25	2800

Weights can vary depending on design of product