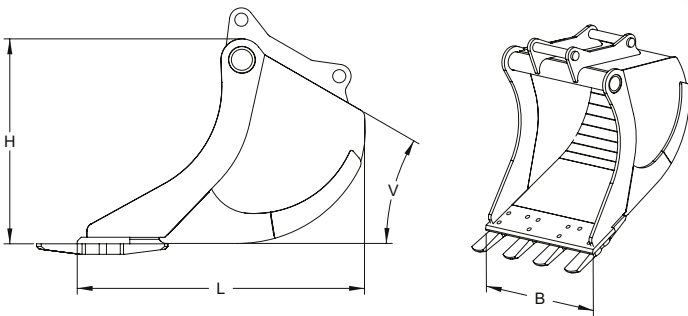


# DEEP BUCKETS BACKHOE LOADERS & MINI EXCAVATORS

55-400 litres/SAE

A robust and high quality bucket suitable for backhoe loaders and mini excavators, where low weight and a long service life are important.

The bucket is designed for digging in all types of material, regardless of temperature or weather conditions. Deep buckets are available with or without bucket teeth and with an optional tooth system, which are type CAT, KVERNEX, UNI-Z or CATEX as standard.



## TECHNICAL SPECIFICATIONS DEEP BUCKETS MINI & BACKHOE LOADERS

Model	Volume (l)	Width (mm)	Length (mm)	Height (mm)	Angle	Approx weight (Kg)
DS 55	55	500	420	380	30	50
DS 85	85	500	640	480	30	65
DS 145	145	500	730	630	28	100
DS 165	165	600	730	630	28	115
DS 200	200	600	790	670	28	135
DS 240	240	700	840	670	28	170
DS 250	250	700	900	710	28	185
DS 265	265	650	935	715	28	195
DS 285	285	700	960	715	28	210
DS 320	320	800	930	690	30	275
DS 370	370	800	1035	750	30	320
DS 385	385	700	1090	770	30	310
DS 400	400	800	1090	770	30	340

*Weights can vary depending on design of product*