

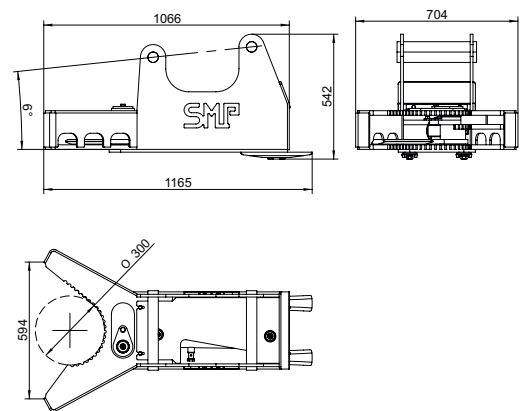
# HYDRAULIC TREE CUTTER/TREE CUTTER ADAPTER

240 / S45, S50

A Hydraulic Tree Cutter for clearing brushwood and small trees up to a diameter of 24 cm. The cutter can be combined with the SMP Tiltrotator for optimal flexibility and better performance in hard to reach areas. The blade is made from Hardox steel and has a milled blade.



Model	Tree Cutter 240
Weight kg	205
Hydraulic cylinder mm	Ø 100 / 63 x 222
Max cutting diameter, machine mm	Ø 240
Blade cutting power (21 Mpa) tonne	11,2
Recommended pressure	Max 21 Mpa
Recommended oil flow l/ min	50 - 80
Tooth system	2 x KVM16
Attachment	S45, S50
Equipment requirements	Swingotilt ST10, ST15, equipped with grab module and accumulator



The SMP Tree Cutter Adapter is a complementary tool for use with the SMP Tiltrotator. It is a solid and well thought out design, to easily clear brushwood and fell small trees. The exchangeable blade is made from Hardox 450 with a milled and sharp edge that can cut trees up to a diameter of 8 cm. With the power of the machine, it's possible to get through trees of a diameter of up to 16 cm.



Model	Tree Cutter Adapter
Weight kg	60
Max cutting diameter cylinder mm	Ø 80
Max cutting diameter, machine mm	Ø 160
Tooth system	3 x KVM16
Bucket edge	330 x 125 x 15
Attachment	S45, S50
Blade	Exchangeable, T=16 HX-450
Equipment requirements	Swingotilt ST10, ST15 equipped with grab module and accumulator

